

**Congratulations to your new Tormek Sharpening Station. It will take your sharpening to a whole new level of comfort, control and convenience.**

Before you go ahead and mount your Tormek machine – take a moment and ensure that the working height is right for you. The legs can be adjusted from 750 mm to 830 mm (29½"–32½") to fit your height. When your shoulders are relaxed and your arms are extended to about your waist level, you are in a good working position. You can most conveniently apply the right amount of pressure and get the best results.

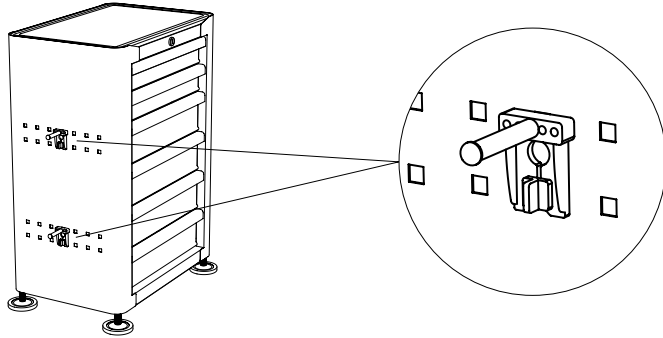
Good luck and stay sharp.  
/ The Tormek Team

## Maintenance

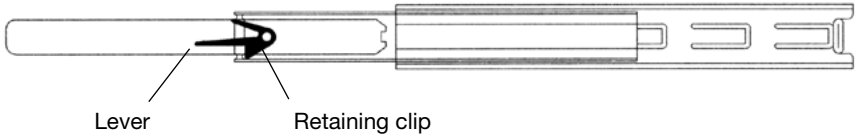
It is important for the smooth operation of the drawers to lubricate the sliders periodically with light grease.

## Product information

- Tormek purpose designed top quality sharpening cabinet.
- Width 578 mm (22¾") × Depth 390 mm (15⅜").
- Height adjustable from 750 mm to 830 mm (29½"–32½") to make it possible to set to your most comfortable working height.
- 6 drawers with 100% extension and central key locking.
- Drawers with aluminium handles and auto-return function.
- 2 drawers height 63 mm (2½") (one drawer contains T8-00 Storage Tray for Tormek T-8 Accessories).
- 4 drawers height 100 mm (4") (one drawer contains HTK-00 Storage Tray for Hand Tool Kit, one drawer contains TNT-00 Storage Tray for Woodturner's Kit).
- Powder coating to resist scratch and solvent markings.
- Worktop of water resistant composite.
- Two hooks included for side storage. Ideal if you use extra stones.  
(They will dry out without creating moisture inside the cabinet.)



If you, for some reason need to remove a drawer, here is how they are constructed:



Each drawer slider has a black retaining clip. To remove a drawer, the retaining clips on the sliders need to be released by pushing the lever up (left side of sliders) and down (right side of sliders) at the same time.

